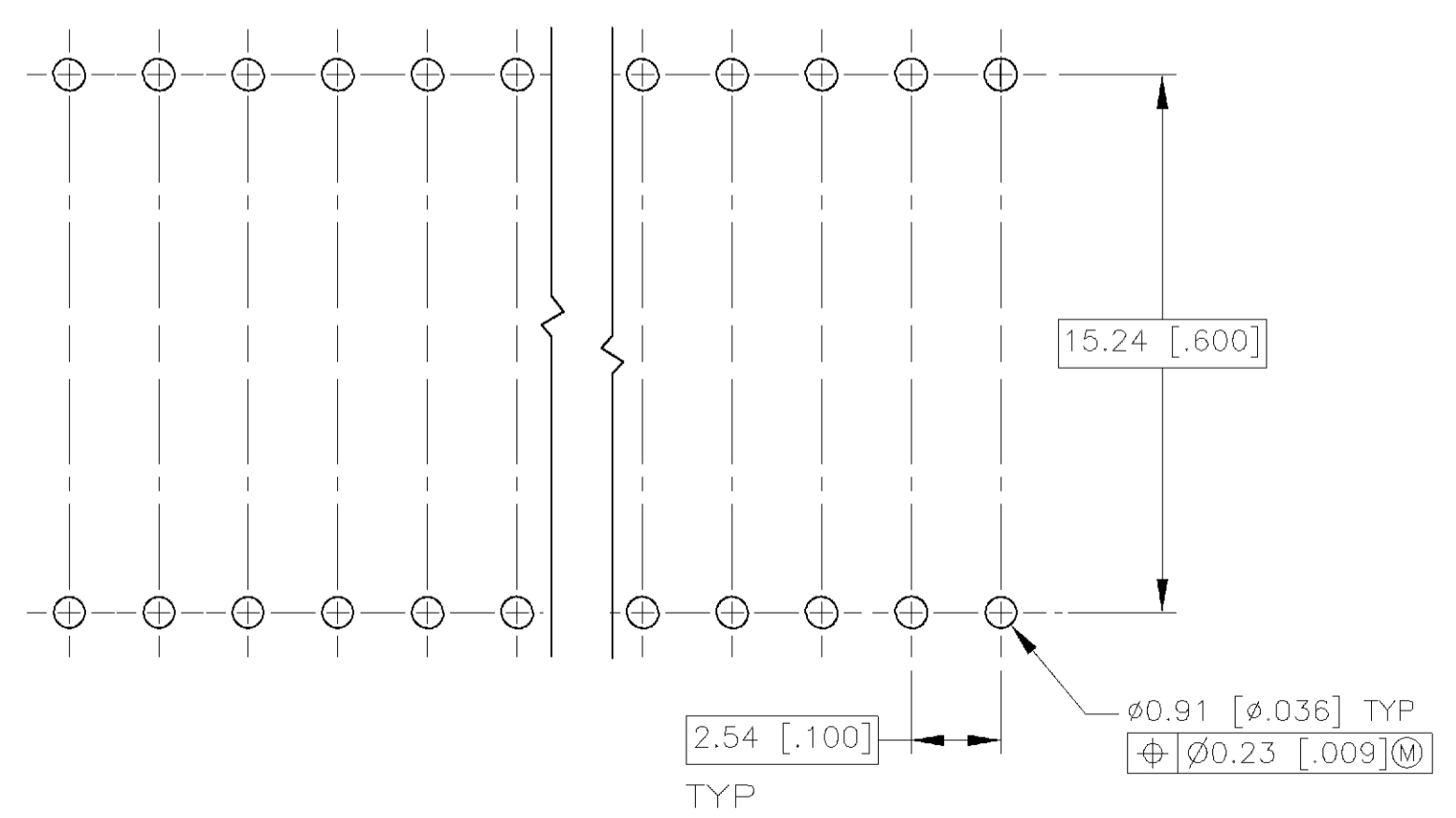
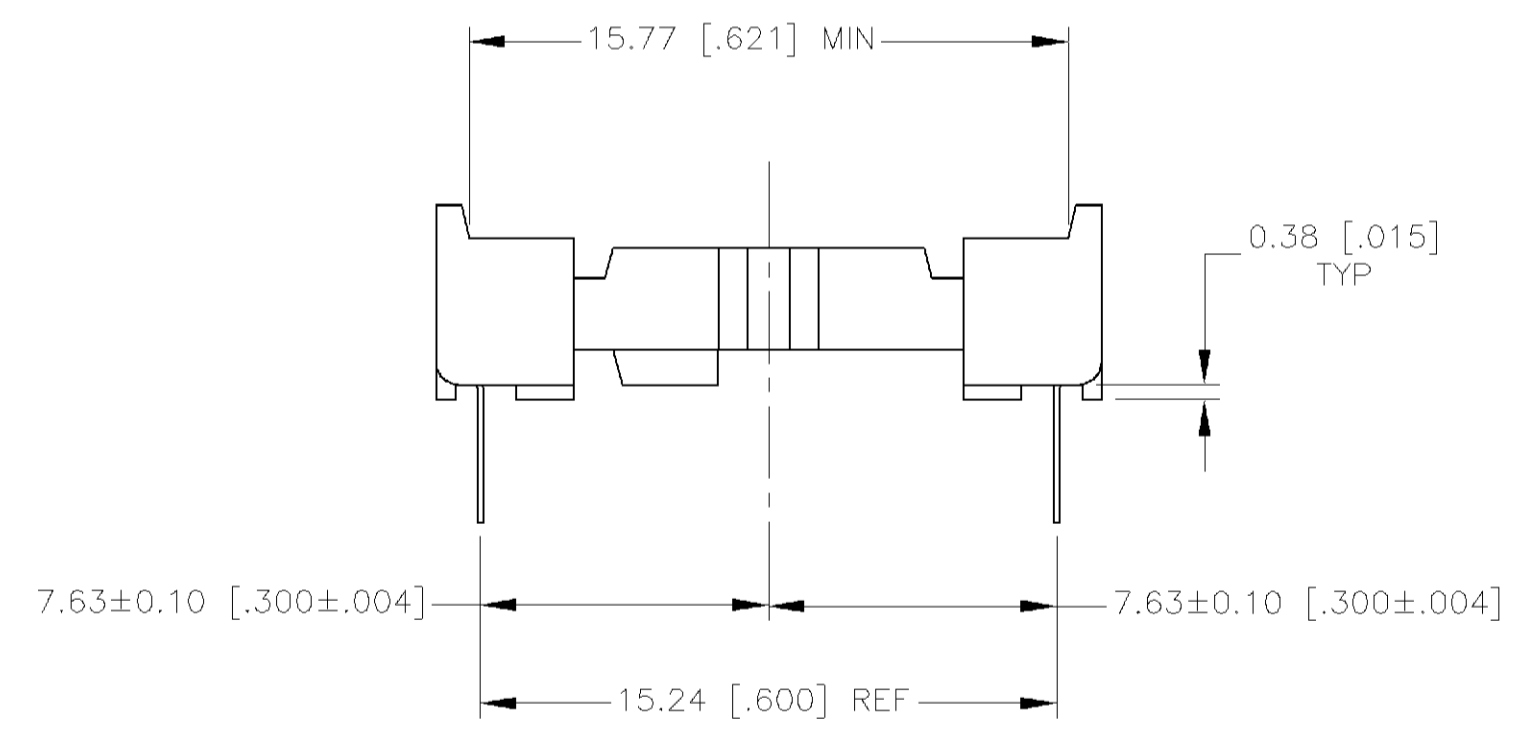
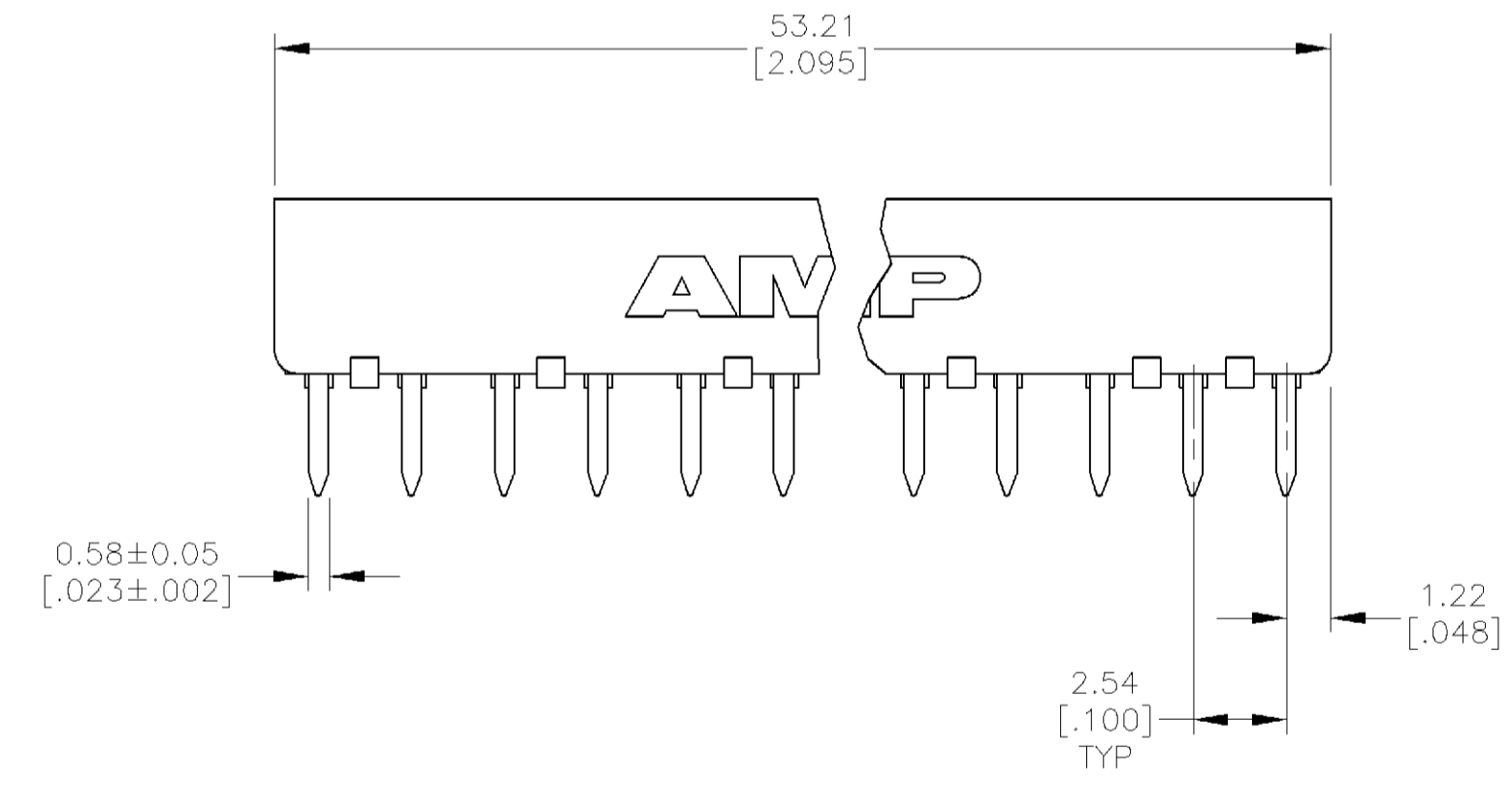
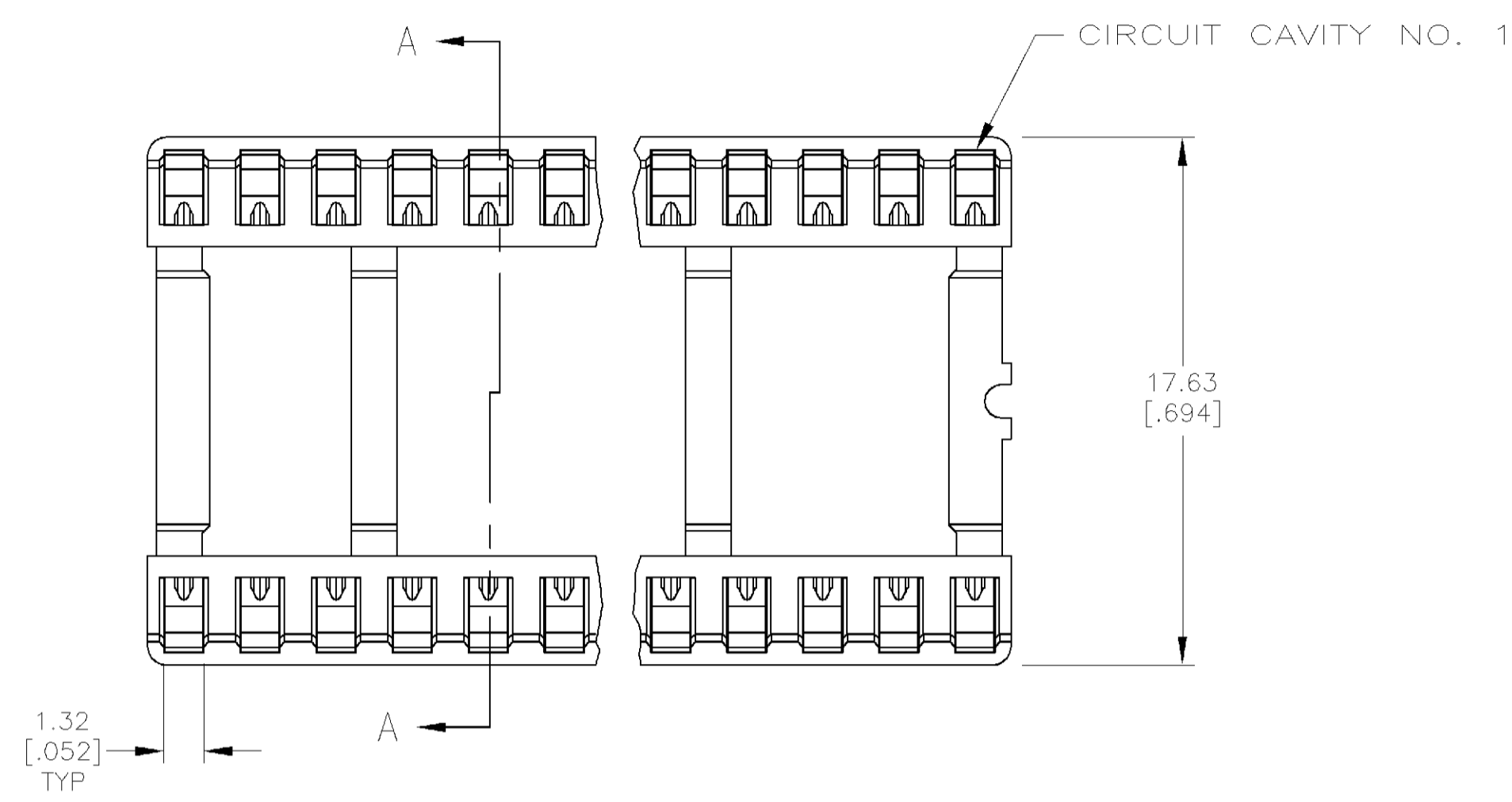
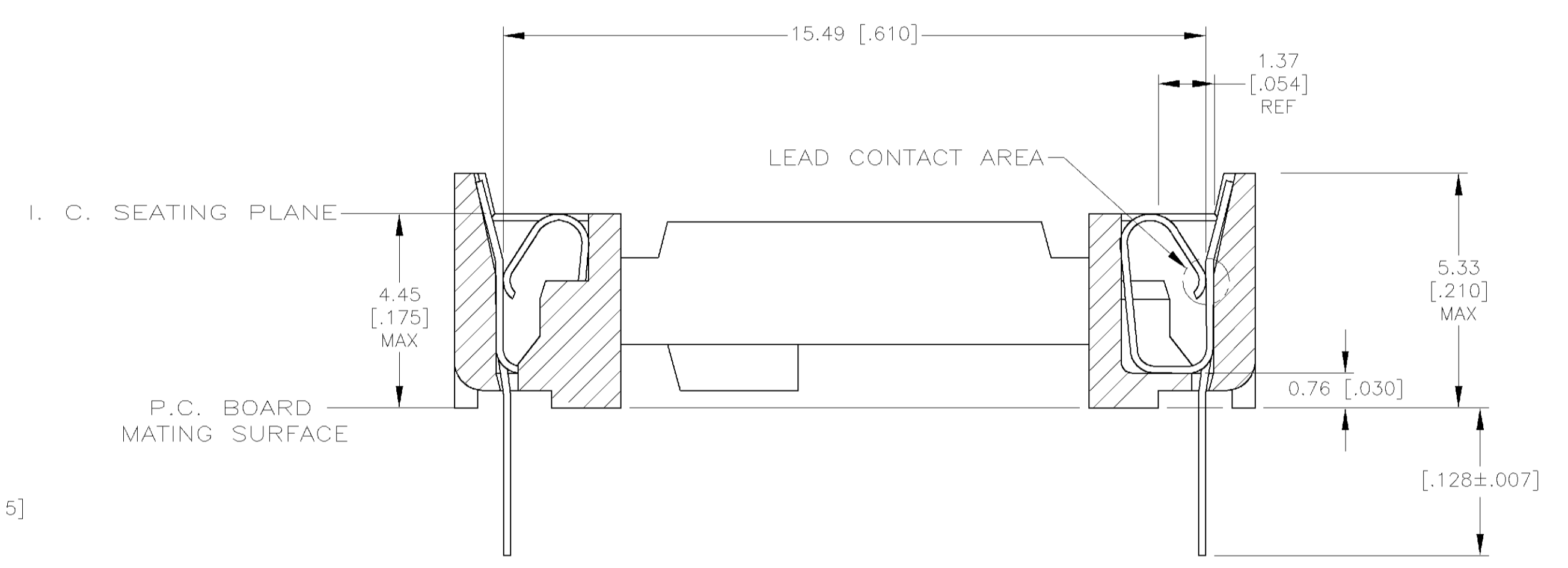


LOC		DIST		REVISIONS			
AD	0	F	LTR	DESCRIPTION	DATE	OWN	APVD
N	REV PER	OG3C-0104-01			19JUL01	RB	JO



RECOMMENDED MOUNTING HOLE PATTERN

- RECEPTACLE ACCEPTS AN .008-.014 THK. I.C. LEAD.
- MATERIAL: HOUSING—GLASS FILLED THERMOPLASTIC, 94V-0, BLACK
- LOADED IN 22 INCH TUBES.
- TWO 0.00076 [.000030] MIN THK GOLD STRIPES IN CONTACT AREA, TIN-LEAD (93-7) ON CONTACT LEGS, BALANCE OF CONTACT NICKEL PLATED.



SECTION A-A
 ROTATED 90° CW
 SCALE 10:1

OBSELETE	TINNED	PHOS BRZ .006 THK		2-382374-5
	TINNED	PHOS BRZ .006 THK		2-382374-3
		BE CU .006 THK		2-382374-2
	TINNED	BE CU .006 THK		2-382374-1
	PLATING	CONTACT MATERIAL	HOUSING MATERIAL	PART NUMBER

THIS DRAWING IS A CONTROLLED DOCUMENT.

DRAWN: V. SHEPARD 6-7-88	CHK: R. MILLER 6-7-88	APVD: J. LAMBERT 6-7-88	NAME: AMP Tyco Electronics Corporation Harrisburg, PA 17105
DIMENSIONS: INCHES	TOLERANCES UNLESS OTHERWISE SPECIFIED:	PRODUCT SPEC: 108-1066	APPLICATION SPEC: 114-1049
0 PLC ± -	1 PLC ± -	2 PLC ± 0.13 [.005]	3 PLC ± -
4 PLC ± -	ANGLES ± -	WEIGHT: -	RESTRICTED TO: -
MATERIAL: -	FINISH: -	SIZE: A1	CAGE CODE: 00779
		DRAWING NO: 382374	SCALE: 5:1
		CUSTOMER DRAWING	SHEET 1 OF 1